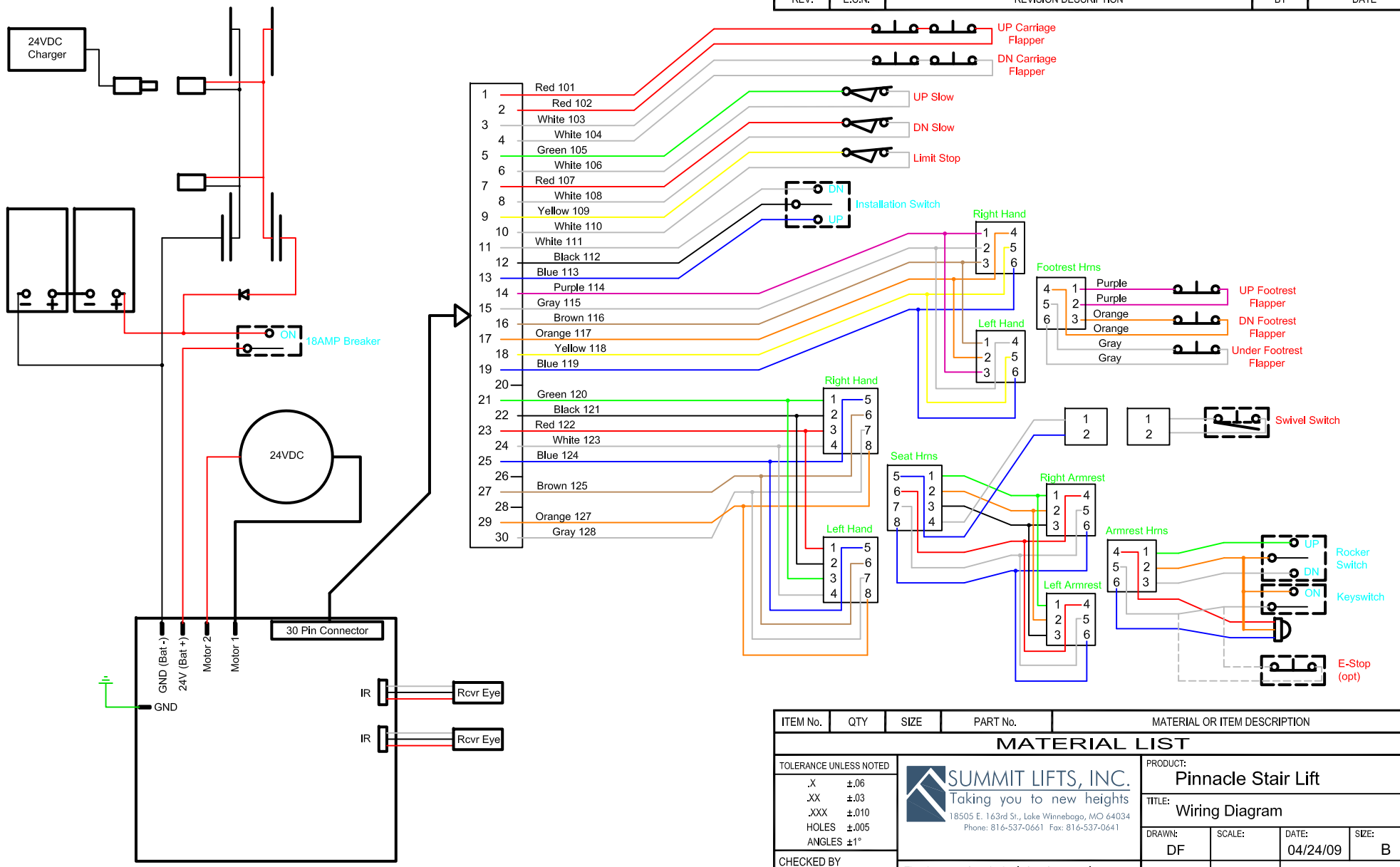


REV.	E.C.N.	REVISION DESCRIPTION	BY	DATE
------	--------	----------------------	----	------



ITEM No.	QTY	SIZE	PART No.	MATERIAL OR ITEM DESCRIPTION
----------	-----	------	----------	------------------------------

TOLERANCE UNLESS NOTED			
.X	±.06		
.XX	±.03		
.XXX	±.010		
HOLES	±.005		
ANGLES	±1°		

<p><b>SUMMIT LIFTS, INC.</b> Taking you to new heights 18505 E. 163rd St., Lake Winnebago, MO 64034 Phone: 816-537-0661 Fax: 816-537-0641</p>	<b>PRODUCT:</b> Pinnacle Stair Lift		
	<b>TITLE:</b> Wiring Diagram		
<b>CHECKED BY:</b> <b>CHECK DATE:</b> <b>APP. BY:</b> <b>APP. DATE:</b>	<b>DRAWN:</b> DF	<b>SCALE:</b> <b>DATE:</b> 04/24/09	<b>SIZE:</b> B
This drawing is furnished only for informational purposes on a confidential basis, and neither the drawing or items thereon are to be reproduced or used in any manner not authorized.		<b>LAST PLOT:</b> 2-Jul-10	<b>REVISION:</b> A
		<b>CAD FILE NAME:</b> 4700	